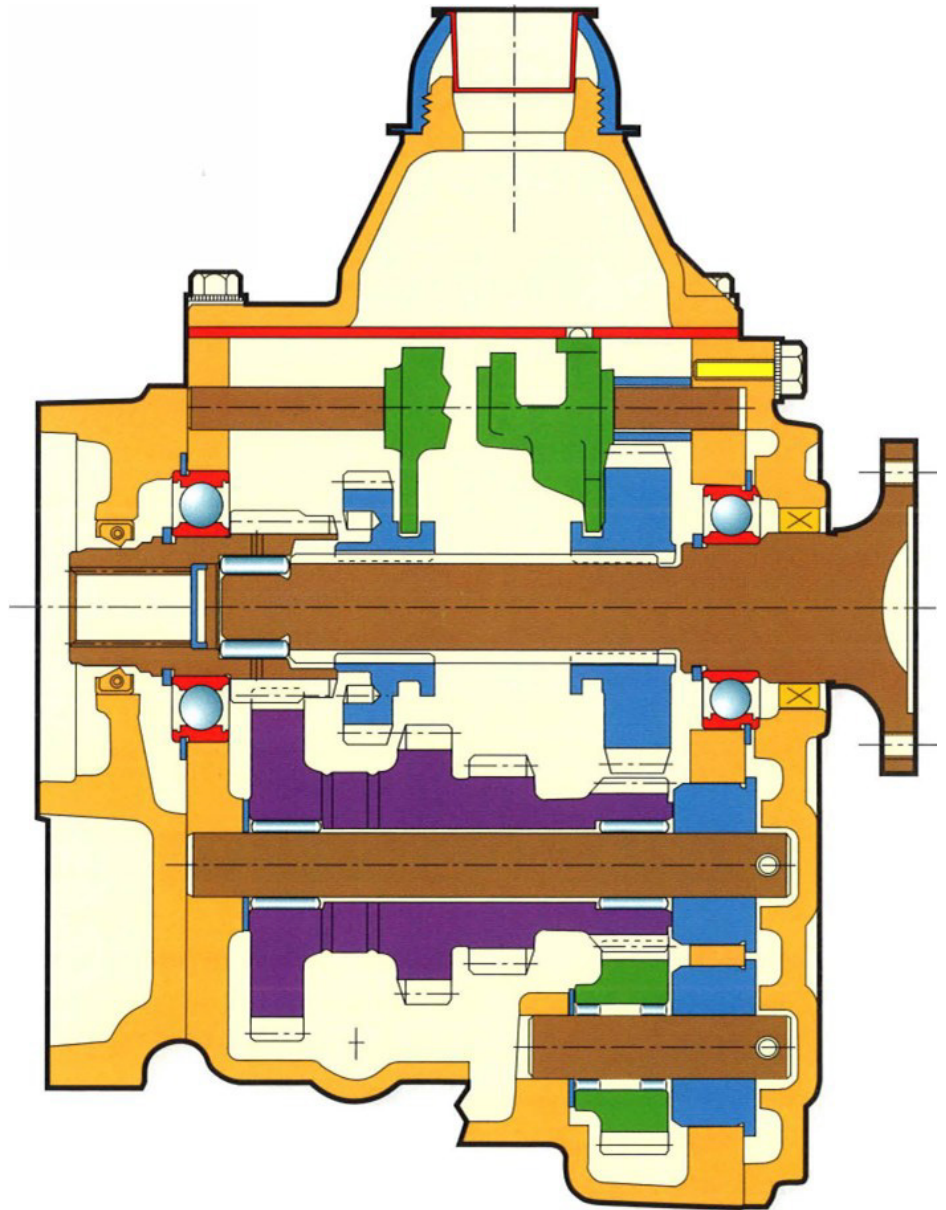


MODEL 14MD MULTISPEED GEARBOX

The Model 14MD (motor driven) is a non-synchronized, three-speed gearbox combining the proven durability, performance and application options of the Model 14 with an integral motor adapter. It was designed to meet the need of manufacturers of equipment and vehicles in the 15 to 35 horsepower range for a compact and cost-effective extension to their low output electric or hydraulic powertrains.

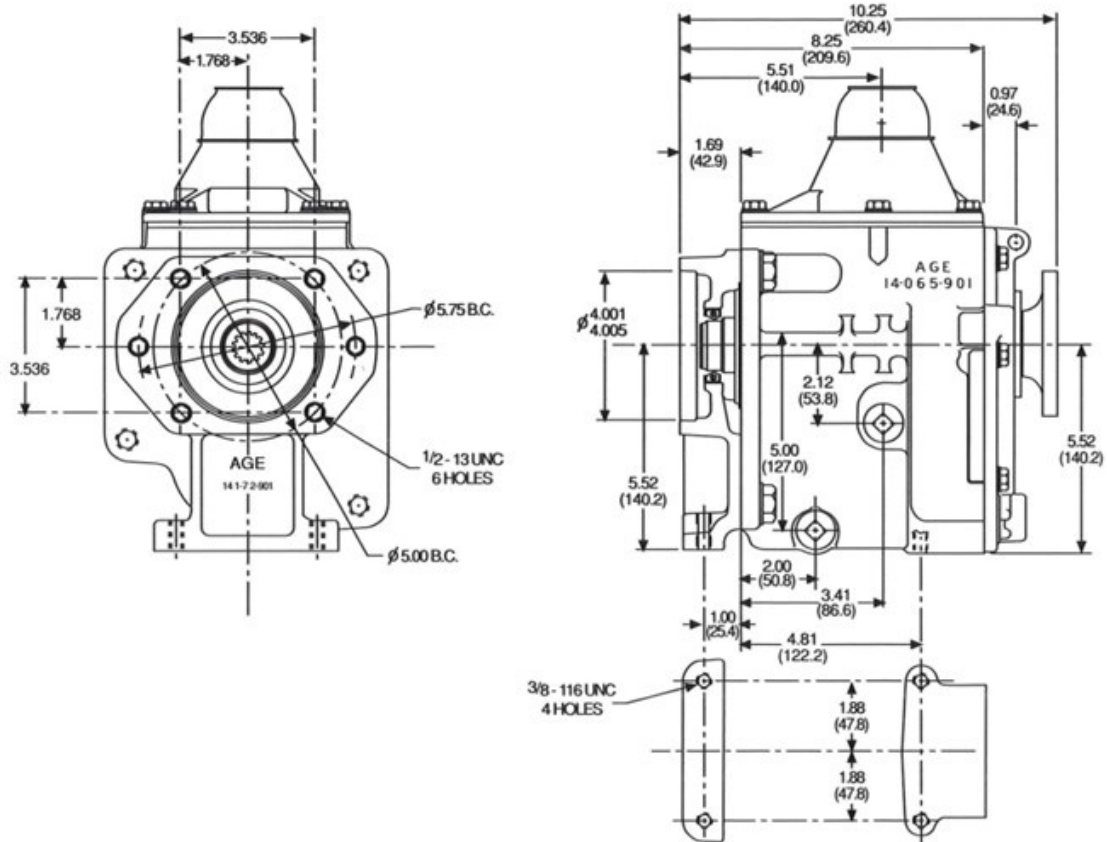
Features / Benefits

- **Compact and light weight.** The Model 14MD is shorter and lighter than any unit in its class.
- **Rugged sliding gear construction.** We don't recommend filling any gearbox with mud or water, but when it happens, the Model 14MD will continue to operate longer than any constant-mesh design.
- **Simple self-evident design.** Downtime is expensive and never convenient. Unlike constant-mesh designs, the Model 14MD can be serviced quickly in the field by untrained personnel with simple hand tools.



DETAILS

SAE B MOTOR CONFIGURATION OPTIONAL 13T 16/32 DP INPUT SPLINE



GENERAL SPECIFICATIONS

Ratios (1/2/3/R).....3.12/1.86/1.00/3.75
 Input Rating..... Duty Cycle Dependent
 Shaft Canters..... 2.94 inches (74.6mm)
 Oil Capacity.....3.0 US Pints (1.5 liters)
 Dry Weight.....35 lbs. (15.9kg)
 Case/Cover.....319T51 sand cast aluminum
 Gears.....SAE 8620 Steel

OPTIONS

Motor Adapters.....SAE A or B
 Input Splines.....13T 16/32 DP or
 9T 16/32 DP
 Shift Configurations.....Tower or Remote
 Reverse Indicator Switch.....As Required